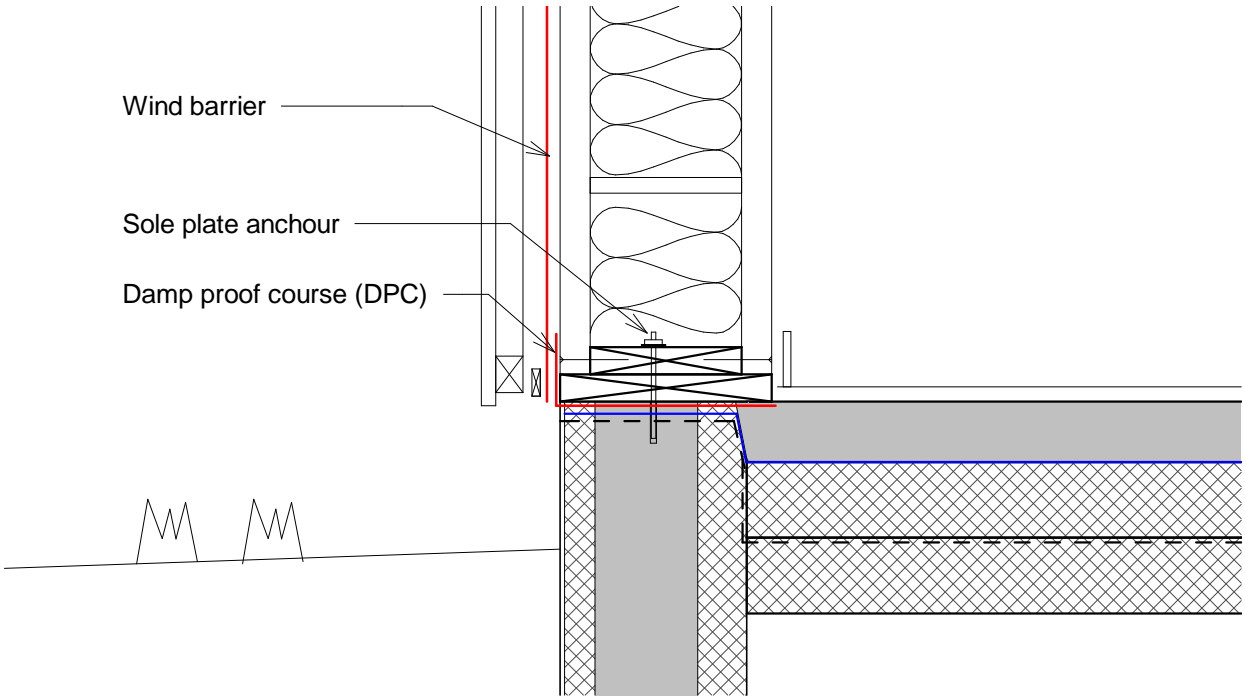
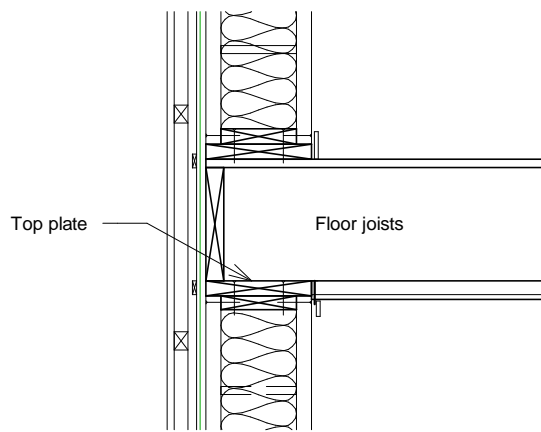
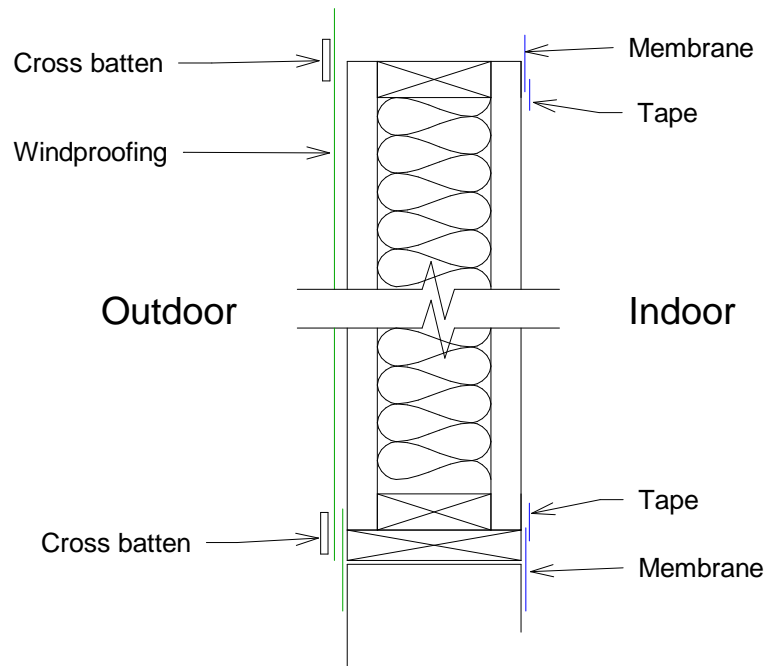


Plan sill / corner

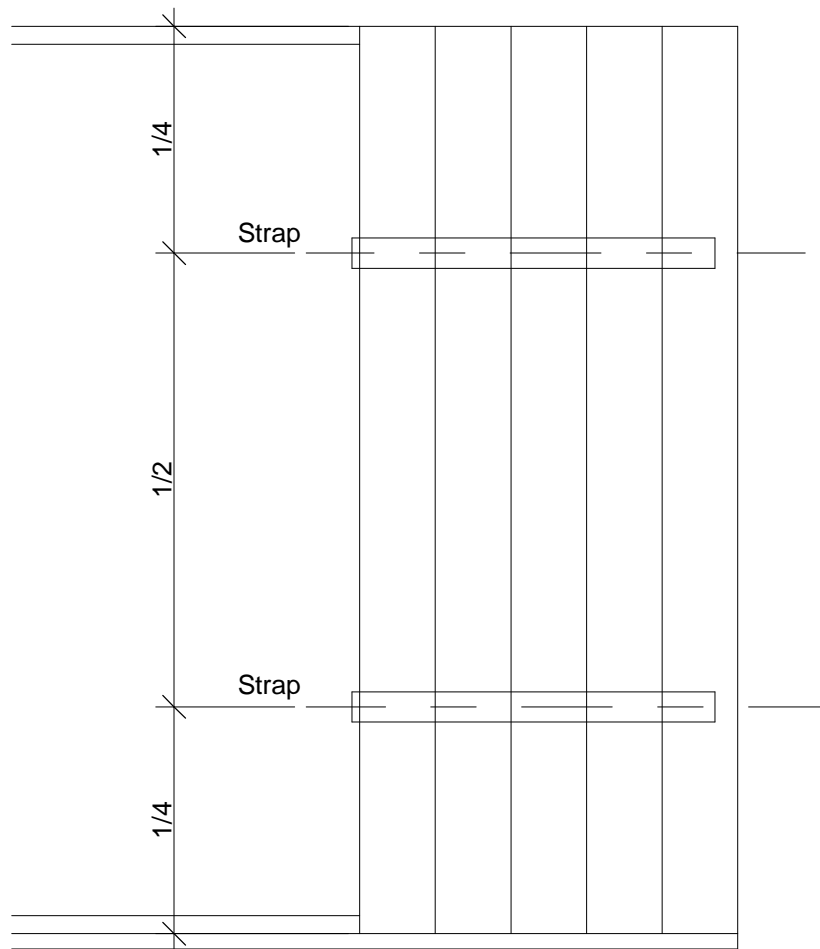


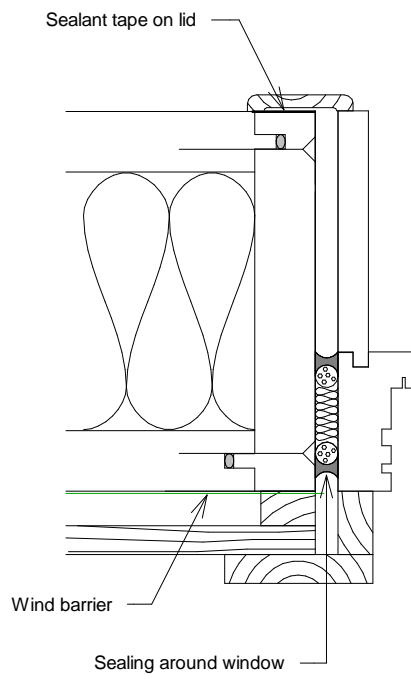


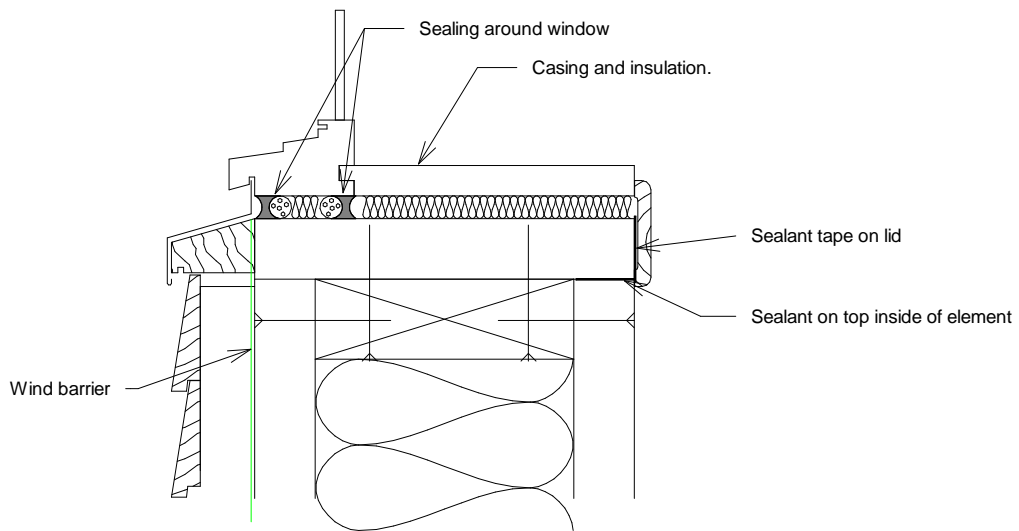
Principal drawing - air tightening



Tie-down strap placement

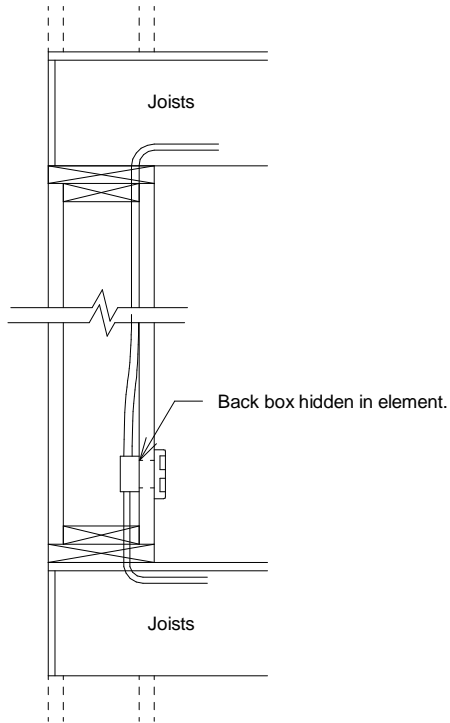


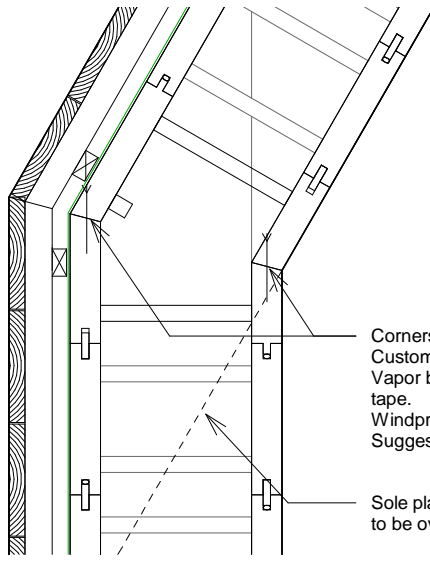




Vindsperre

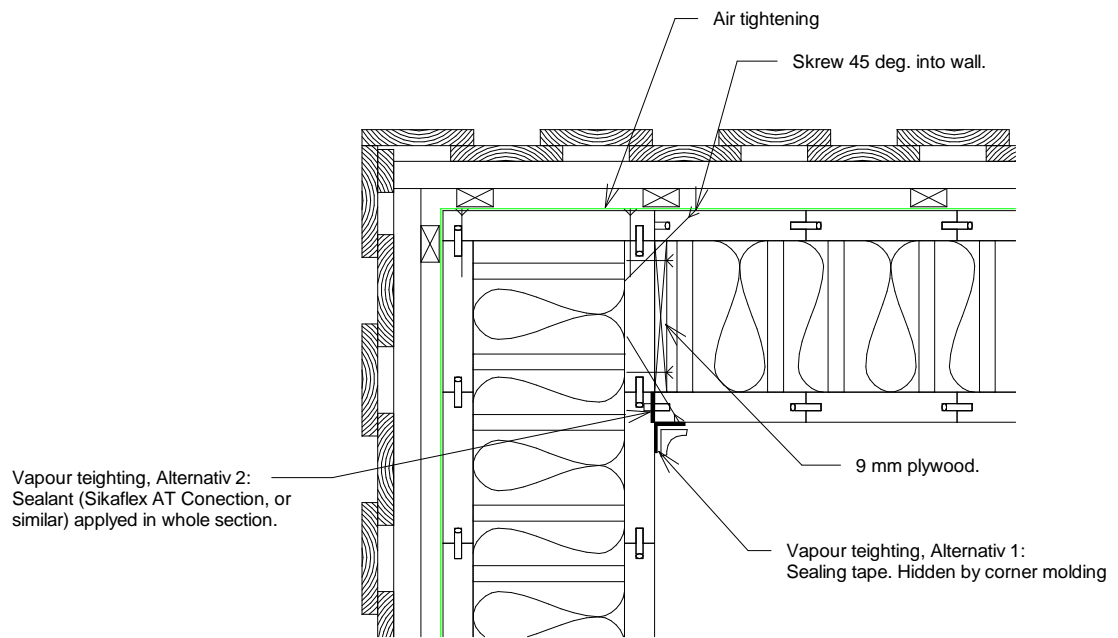
Utforing og belistning





Corners different that from 90 degrees must be adjusted on site.
Customized based on standard elements.
Vapor barrier must be secured on site with sealant or vapor barrier tape.
Windproofing must be secured externally.
Suggestion for screw-in as shown.

Sole plate and wall plate bottom to be overlapped



OPENING FOR WINDOW / DOOR

